



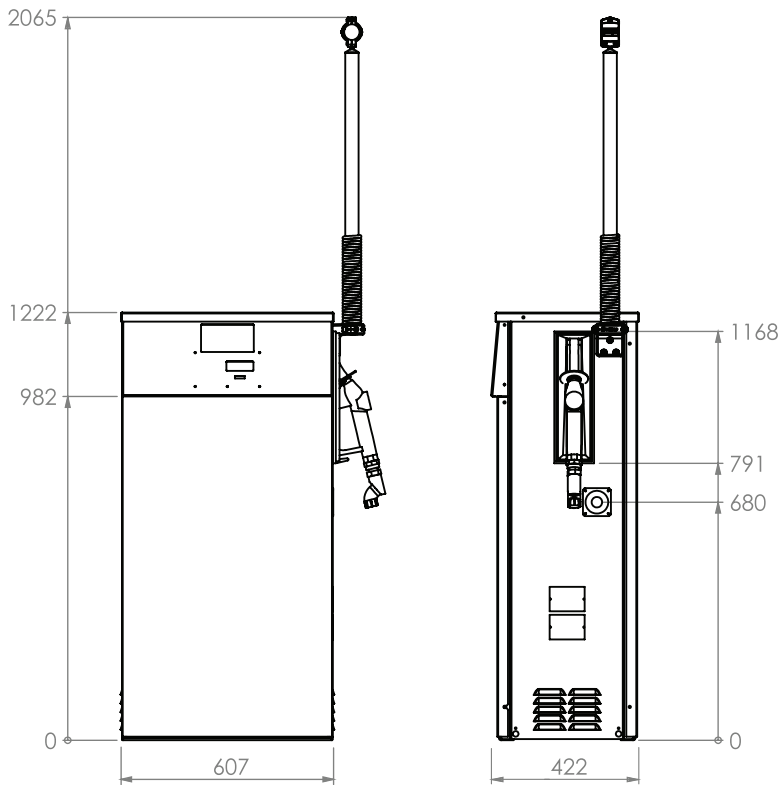
Compac's range of Master Pumps and Dispensers are robust and reliable.

Designed to perform in harsh environments, such as trucking, marine and aviation industries, the Compac Master Pumps and Dispensers can be customised to the specific requirements of a site.

- Suited to both Retail and Commercial applications
- Hose and flow rate options
- Marine & Aviation options
- Stainless Steel construction option
- Preset options

Model & Flow Rate	Pump	Dispenser	Product *	Hose	Hi/Lo Switch	Preset	Pylon or Himast
MR40	✓	✓	1 (Motorspirit)	1	✗	✓	✓
MR80	✓	✓	1 (Diesel)	1	✗	✓	✓
MR160	✓	✓	1 (Diesel)	1	✓	✓	✓
MR400	✗	✓	1 (Diesel)	1	✗	✓	✗
MMR40	✓	✓	2 (Motorspirit, Diesel)	2	✗	✓	✓
MMR80	✓	✓	1 (Diesel)	2	✗	✓	✓
MMR160	✗	✓	1 (Diesel)	2	✓	✓	✓
MMR40/40	✓	✓	2 (Motorspirit, Diesel)	2	✗	✓	✓
MMR40/80	✓	✓	2 (Motorspirit, Diesel)	2	✗	✓	✓
MMR80/160	✗	✓	1 (Diesel)	2	✓	✓	✓
MMR80/400	✗	✓	1 (Diesel)	2	✗	✓	✓
MMR160/400	✗	✓	1 (Diesel)	2	✓	✓	✓
MA30S	✗	✓			See AdBlue Brochure		
MA30/160S	✗	✓			See AdBlue Brochure		

* Avgas and Jet A1 fuel options also available for Marine and Aviation sites.



Approvals. Compac Dispensers have received certification and approvals in many different countries. Copies of these are available on our website.



Compac Industries Ltd.

52 Walls Road. Penrose. Auckland 1061. New Zealand.
 PO Box 12 417. Penrose. Auckland 1642. New Zealand.
 Tel: +64 9 579 2094 Fax: +64 9 579 0635 info@compac.co.nz
 www.compac.co.nz

YOUR LOCAL SERVICE AGENT