



***compac***

***INTEGRATED REFUELLING SOLUTIONS***

## **Connecting a 3<sup>rd</sup> Party Meter Version No 1.3**

**Model: C4000**

**Date: 03/05/2018**

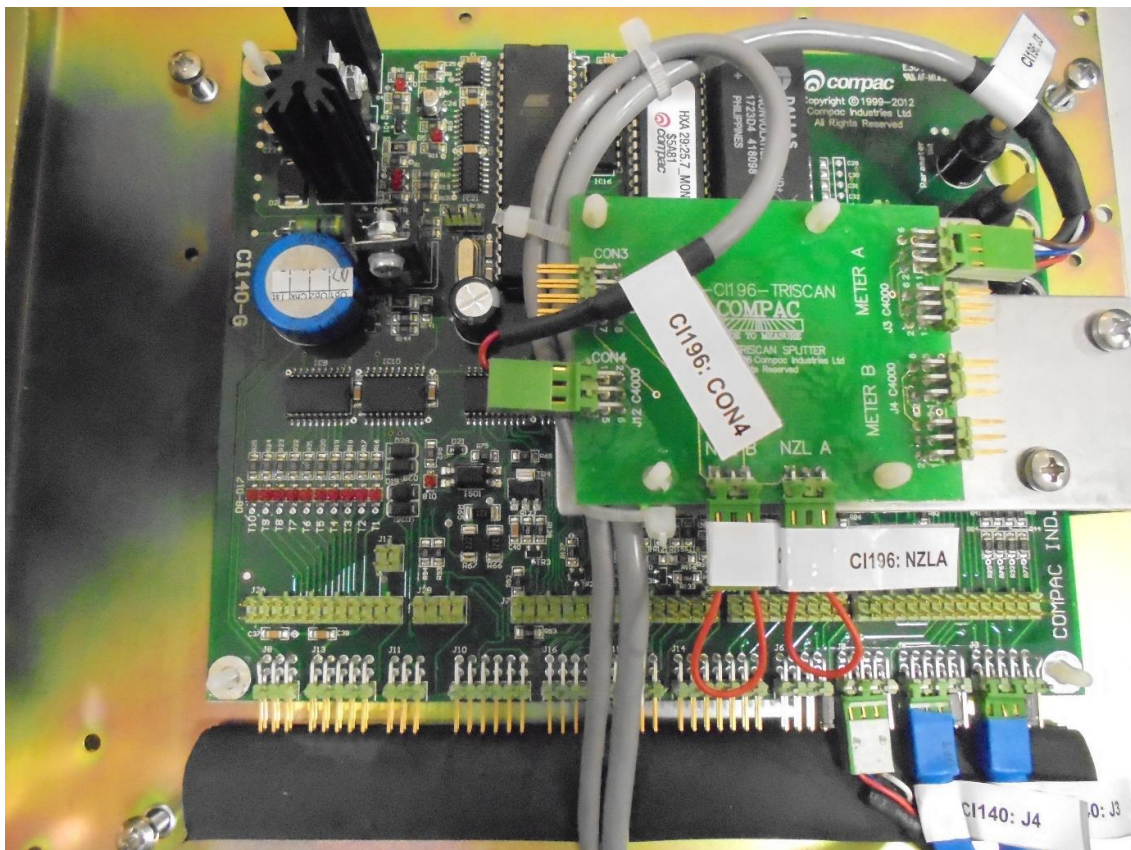
Compac Industries Ltd.  
52 Walls Road. Penrose. Auckland 1061. New Zealand.  
PO Box 12 417. Penrose. Auckland 1642. New Zealand.  
Tel: +64 9 579 2094 Fax: +64 9 579 0635  
info@compac.co.nz  
www.compac.co.nz



## Scope

This instruction sheet is for connecting a 3<sup>rd</sup> party meter to the C4000. Please note that the Triscan interface board has been used previously for pulse applications. However, in this application it is used as a barrier to connect a 3<sup>rd</sup> party meter. Connections in each application are different and attention should be paid to the location and connections of this application.

See the following photo for the location of the Triscan interface board in this application.

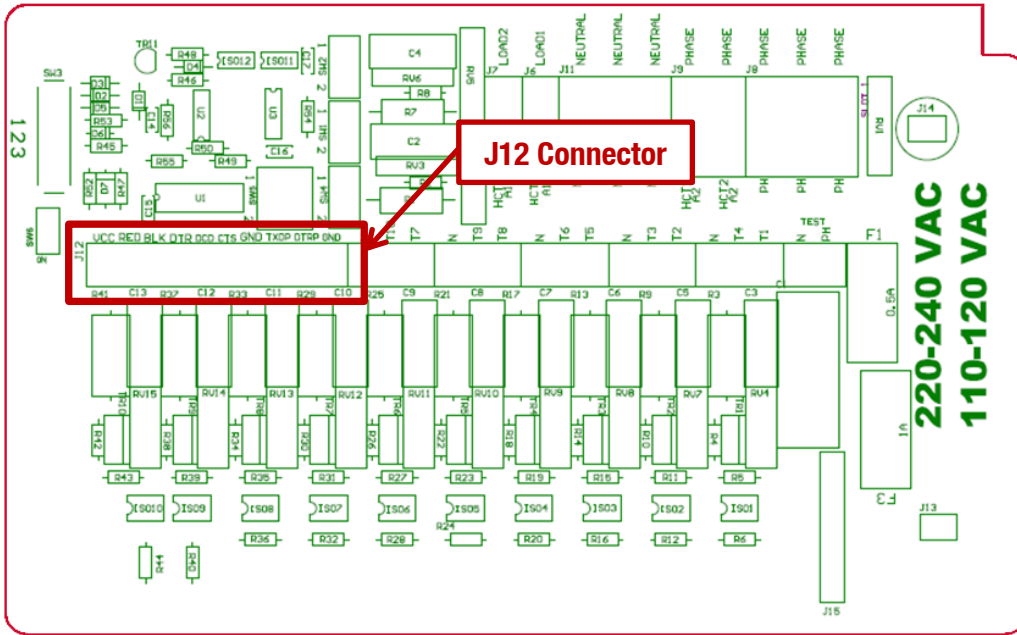


## Wiring

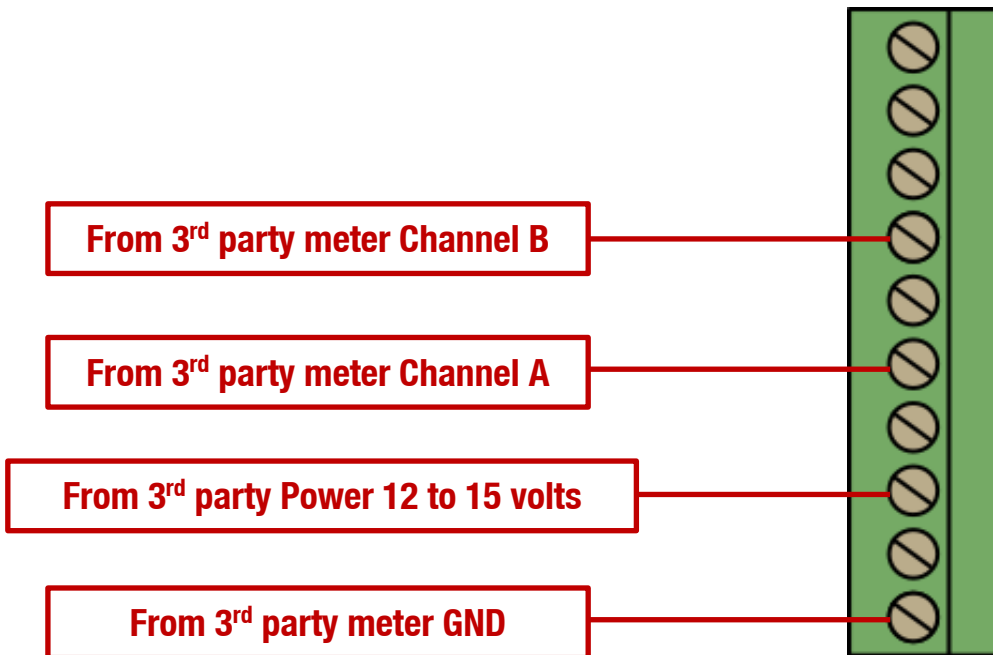
To hold the Electrical certificate for the C4000 the meter must be connected to the C4000 via a barrier. The below is the wiring to connect the C4000 Power supply to a 3<sup>rd</sup> party Open collector output meter.

**NOTE:** the meter must be powered by its own power supply.

# Wiring

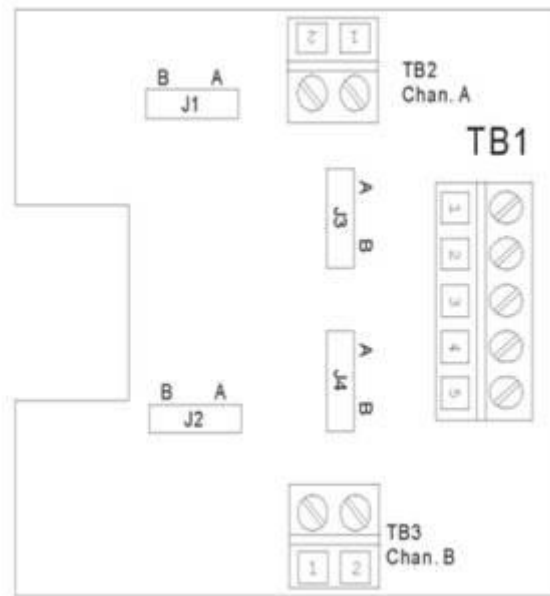


There are 4 connections that are made when connecting a 3<sup>rd</sup> party meter to the C4000 power supply. These are Meter power, (12 to 15 volts) Channel A, Channel B and Ground.



## Brodie Meter Connections

The Brodie meter can be connected to the C4000. Shown is the Brodie connection board:



And shown are the connections:

Brodie meter	C4000
Pin 1 12 volt power supply	From 3rd party Power 12 to 15 volts
Pin 2 Ground	From 3rd party meter GND
Pin 3 Channel A	From 3rd party meter Channel A
Pin 5 Channel B	From 3rd party meter Channel B

The jumper connections are as follows:

J1	Keep default
J2	Keep default
J3	A
J4	A

Refer to page 2 for diagrams of the connections.