



compac

INTEGRATED REFUELLING SOLUTIONS

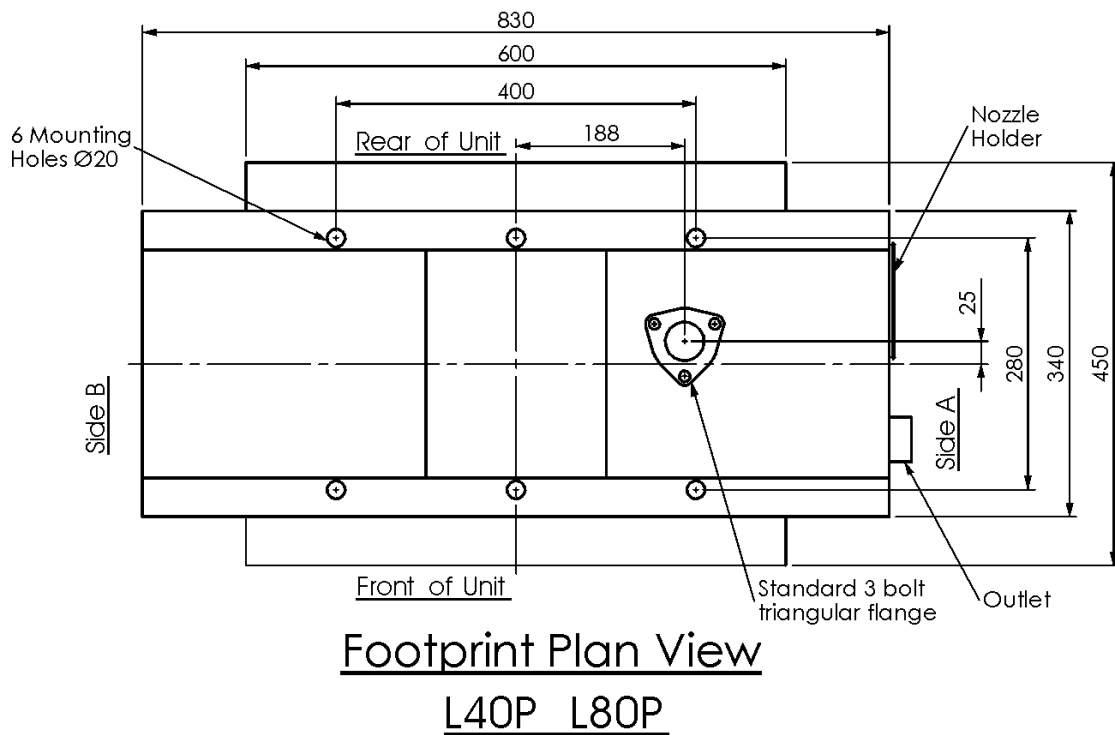
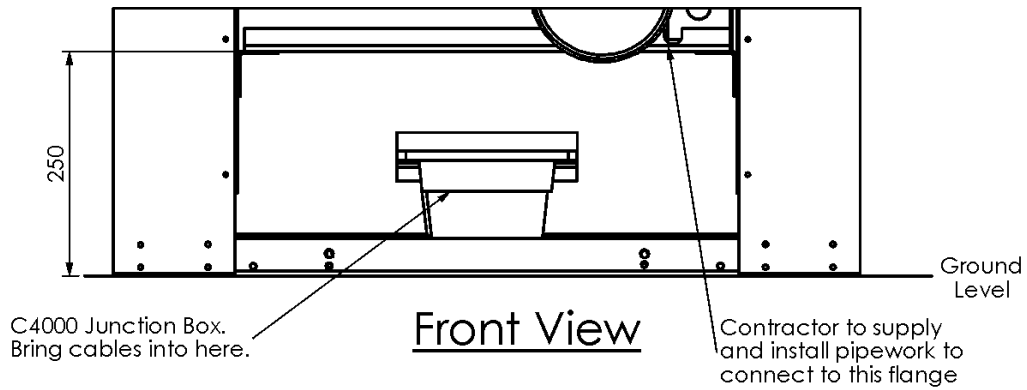
Installation and Setup Instructions

Model: Laser
Version: L80P Card King
Date of issue: 15 November, 2004

Compac Industries Ltd
P O Box 12-417
Penrose
Auckland
New Zealand
Ph 64 9 5792 094
Fax 64 9 5790 635
www.compac.co.nz

| | | |
|-----|-------------------------------------|----|
| 1. | Footprint..... | 3 |
| 2. | Static Electricity Precautions..... | 4 |
| 3. | Pre-installation Check..... | 4 |
| 4. | Comms Dip-switch settings..... | 4 |
| 4.1 | Standard Pump Comms Setting..... | 4 |
| 4.2 | Gilbarco Pump comms Setting..... | 4 |
| 5. | Triac Dip-switches..... | 4 |
| 6. | Electrical Connections..... | 5 |
| 7. | Setting up the C4000..... | 6 |
| 7.1 | Configuration Code..... | 6 |
| 7.2 | K-Factor Switch Settings..... | 8 |
| 8. | Calibration (K-Factor)..... | 9 |
| 8.1 | Setting the K-Factor..... | 9 |
| 8.2 | Sealing the K-Factor switch..... | 9 |
| 9. | Futra Card King..... | 10 |
| 9.1 | Modem..... | 10 |
| 9.2 | Setup..... | 10 |
| 10. | Spare Fuses..... | 10 |
| 11. | Error Messages..... | 11 |
| 12. | L40/80P Spare Parts..... | 12 |

1. Footprint



2. Static Electricity Precautions

Electronic components used are sensitive to static. Please take anti-static precautions.

An anti-static wrist strap should be worn and connected correctly when working on any electronic equipment. If an anti-static wrist strap is unavailable, or in an emergency, hold onto an earthed part of the pump/dispenser frame whilst working on the equipment. This is not a recommended alternative to wearing an anti-static wrist strap.

Note: **Compac Industries Limited reserves the right to refuse to accept any circuit boards returned, if proper anti-static precautions have not been taken.**

3. Pre-installation Check

Once the pump is received on site, check that no damage has occurred while in transit – in particular, damage to electronics due to vibration or jarring. All terminals and plugs should be checked, including IC chips, to ensure they are securely in place.

4. Comms Dip-switch settings

4.1 Standard Pump Comms Setting

(Dipswitch SW3)

1-ON

2-OFF

3-ON

4-OFF

These are factory set to the standard setting unless ordered otherwise.eg Gilbarco.

4.2 Gilbarco Pump comms Setting

(Special software and interface board required)

1-OFF

2-ON

3-OFF

4-ON

5. Triac Dip-switches

Important note:

Great care should be taken not to accidentally change the setting of these switches while working in the Flame-proof box. Operating the unit with these incorrectly set can result in damage to the C4000 Power Supply or incorrect operation of the triacs.

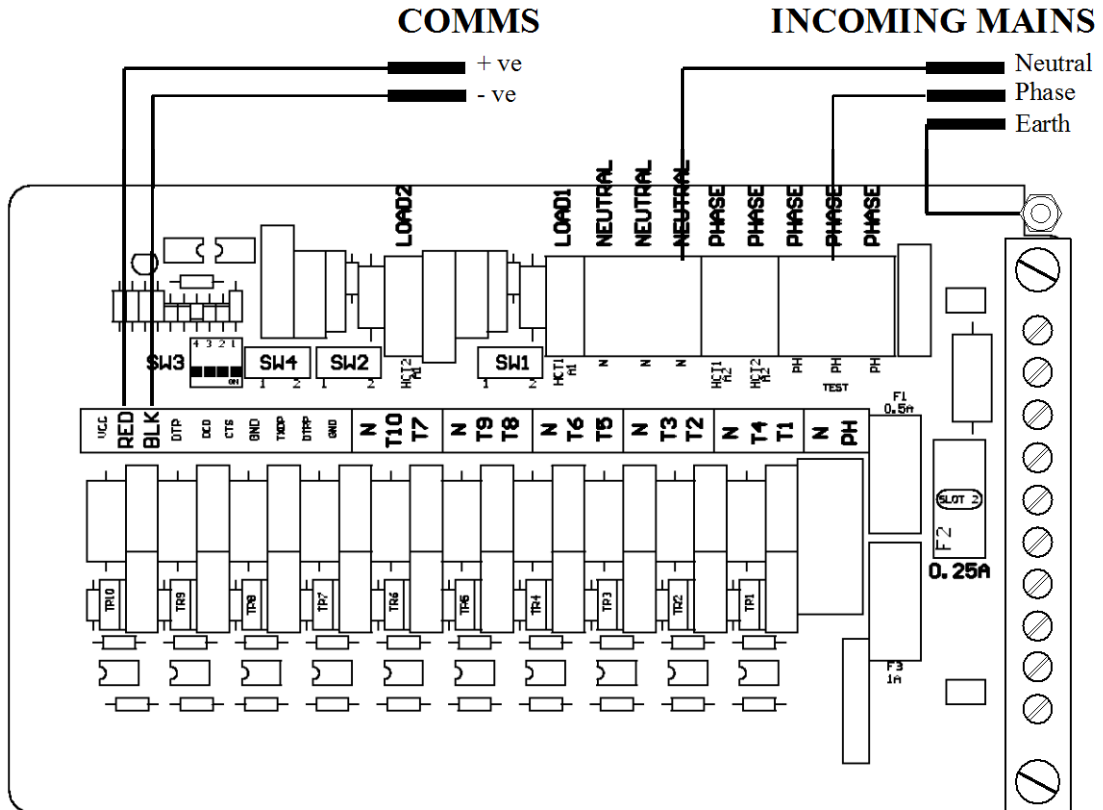
These switches are set in the factory and should not be changed.

If they are accidentally changed these are the correct settings for Laser Pump applications. Note: They are 3 position switches

| | Pump (Motor triac fitted) |
|-----|---------------------------|
| SW1 | 1 |
| SW2 | 1 |
| SW4 | Centre |

6. Electrical Connections

Prior to pump installation ensure that there is at least a two-metre tail on both the incoming underground 230 volt cable and Comms cable. These cables are terminated at the C4000 Power Supply, which is housed in the Flameproof Enclosure located in the bottom of the pump, behind the Door. The incoming cables are terminated as shown in the following picture.



7. Setting up the C4000

Once the pump is connected on site, the final setup check and calibration to complete the installation must be carried out, using the Parameter Switch and Calibration (K-Factor) Switch.

These switches are found on the C4000 Microprocessor Board which is housed in a metal enclosure located as follows:

1. Master/Premier On the left front of the unit below the display panel
2. Laser Behind one of the inner column panels.
3. Legend Behind the lower door panel

7.1 Configuration Code

The configuration code has been set at Compac and should not be changed. In the event of it being lost and having to be re-entered the configuration is written on the yellow label on the C4000 processor board cover.

Parameter Switch Settings

7.1.1 Setting the Pump Number

This must be set at the pump, for each hose, so that communications with a controller can take place. The location of this switch is shown in the diagram below.

Depress the Parameter Switch nine (9) or more times until the message '**PnA XX**' appears in the litres display window. When the switch is pressed again '**Pnb XX**' will appear on the display. These two options will toggle each time the switch is pressed. To alter either of the pump numbers, press and hold the Parameter Switch when the pump number to be altered appears on the display. This number will then increment. The switch should be released when the desired pump number is displayed. The value of the displayed number will then be stored in the C4000 memory as the pump number for that hose.

NOTE: For a single hose only '**Pn**' will appear

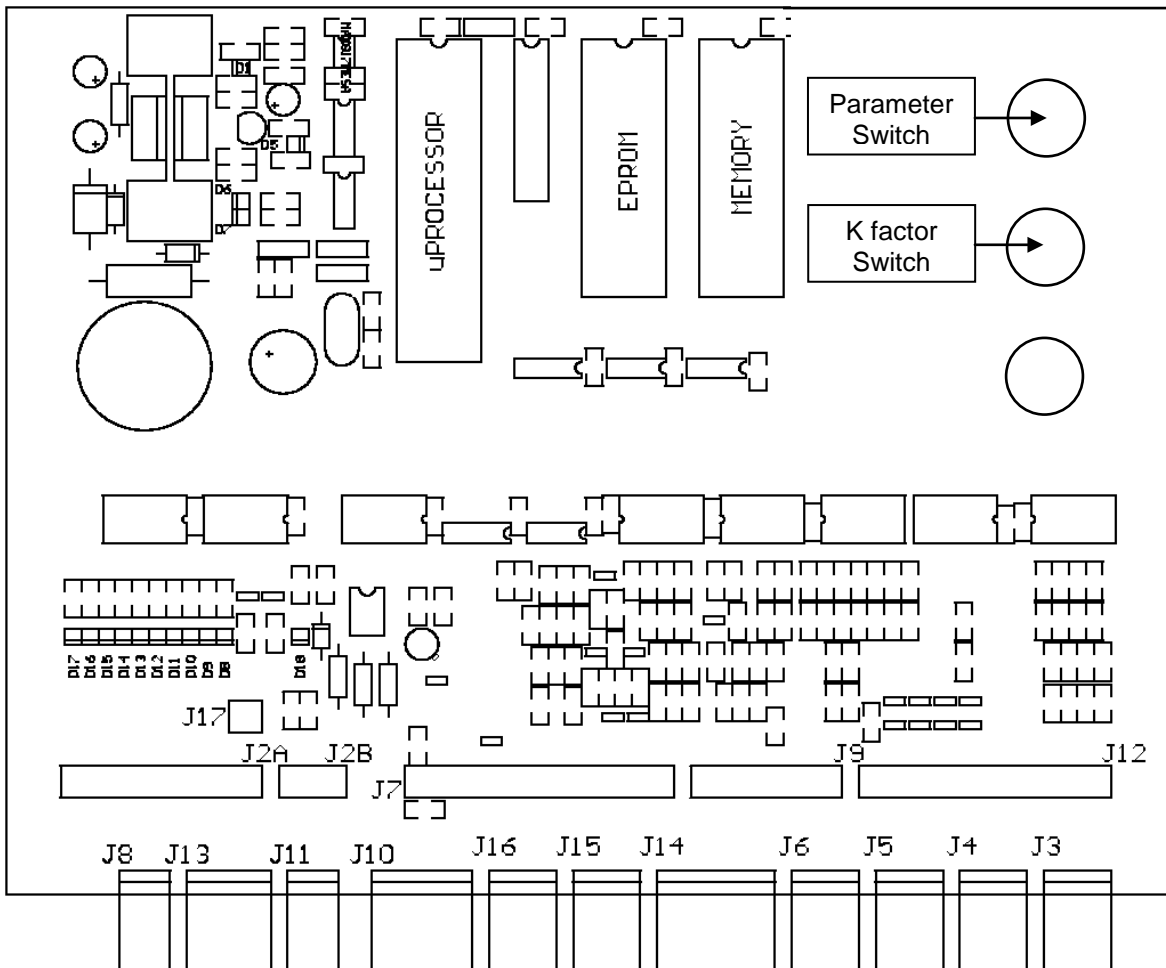
7.1.2 Setting the Price

Using the Parameter Switch, follow the chart to set the price for the hose(s) in question.

| Step | ACTION | RESULT |
|-------------------------------------|---|--|
| 1 | Ensure that the nozzle is hung up | Dispenser in idle state |
| 2 | Press and Hold the Parameter switch until the "Price per litre" is displayed. | The price for side 'A' is shown as 'PX.XXX' on the litres display and 'PrA' is displayed on the money display. |
| 3 | Press and hold the Parameter switch. | A digit, of the displayed 'Price per litre', will begin to increment. |
| 4 | When the digit is correct, release the Parameter switch. | |
| 5 | Repeat steps 3 and 4 for each digit of the 'Price per litre'. | NOTE: the C4000 will reset itself if the Parameter switch is left for more than 60 seconds. |
| Continue for Dual hose units | | |
| 6 | Press and release the Parameter switch 8 or more times in quick succession | The price for side 'B' is shown as 'PX.XXX' on the litres display and 'Prb' is displayed on the money display. |
| 7 | Repeat steps 3 to 5 above. | |

7.2 K-Factor Switch Settings

K-Factor, and other various configuration settings, are set via this switch. The position of the K-Factor switch is shown in the diagram below:



| | | |
|---------------------------------|---|------------------|
| J1: Comms Test | J7: Displays | J13: Not used |
| J2: To Power Supply | J8: Temperature (for Temperature compensation only) | J14: Not used |
| J3 : Input from KG Meter Side A | J 9 Power for KG Meters | J15: Not used |
| J4: Input from KG Meter Side B | J10: Totes | J16: Not used |
| J5 : Not Used | J11: Buzzer | J17 Backlighting |
| J6 Not used | J12 Nozzle Switches | |

8. Calibration (K-Factor)

8.1 Setting the K-Factor

K-Factor is a proportional calibration factor of litres dispensed per revolution of the meter.

To calibrate the dispenser/pump, dispense fuel into a certified measuring container, and compare the display value with the amount dispensed.

Example:

Display shows 10.00

True volume 20.00

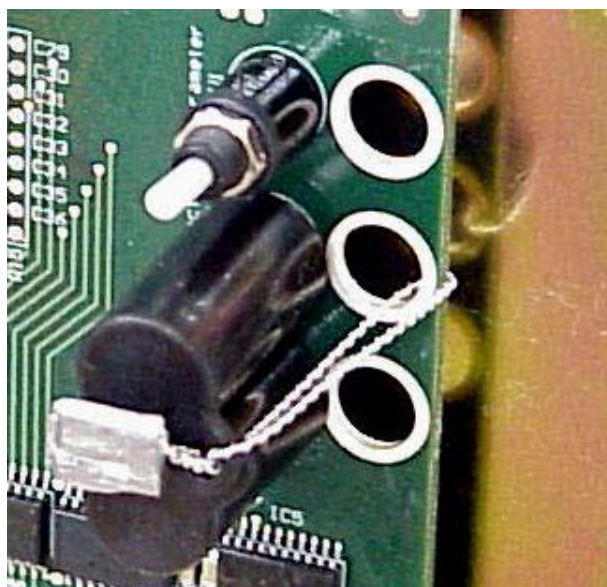
To calculate the correct 'K' Factor from the information above; firstly record the existing 'K' Factor.

$$\begin{aligned}\text{New 'K' Factor} &= \text{Existing 'K' Factor} \times \frac{\text{Dispensed Amount}}{\text{Displayed Amount}} \\ &= \text{Existing 'K' Factor} \times \frac{20.00}{10.00} \\ &= \text{Existing 'K' Factor} \times 2\end{aligned}$$

Change the existing 'K' Factor to this new value.

8.2 Sealing the K-Factor switch

After calibration the K-factor switch should be sealed as shown



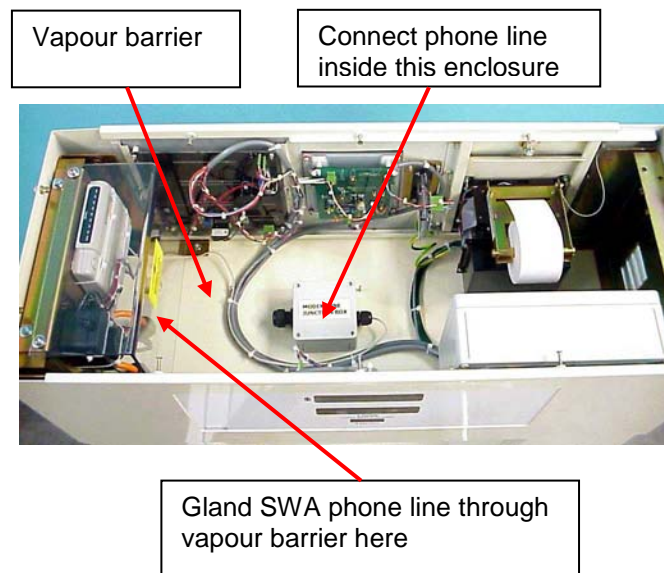
9. Futra Card King

9.1 Modem

Gland the SWA cable from the phone line through the vapour barrier and connect to the cable inside the plastic box

Notes

1. To maintain separation, connection to the phone line must be made within the plastic junction box.
2. No open holes are permitted in the vapour barrier



Inside view of cabinet from above

9.2 Setup

Refer to the Futra supplement manual for detailed instructions for Controller functions via the PINPad eg Product, Price, Cards etc.

If part of a Netbase system this should be done remotely via the modem

The factory Futra setup is Passcode 000000 Site # 1

These may need to be changed to enable the Futra to be dialed up. Refer to the system supervisor

Note The C4000 has been setup in the factory and should not be changed

10. Spare Fuses

In the event of a fuse blowing on the C4000 Power supply a bag of 3 is included in each flameproof box. Any fuses used from this bag should be replaced

Note: There are three different ratings used. If replacing a fuse, ensure that the correct value is used.

11. Error Messages

| Error Code | Fault | Action |
|------------|--|--|
| Err 3 | No price or pump number set. | Set the pump number or: Set a price at the pump or at the controller. |
| Err 7 | Excess flow. | Max Flowrate exceeded |
| Err 8 | Excess reverse rotation of encoder. | Check product is not flowing back into the tank once the delivery has finished. |
| Err 9 | Faulty or disconnected meter encoder. | 1. Check that encoder is plugged in. 2. Replace encoder PCB on meter |
| Err 10 | Configuration Lost | Reconfigure C4000 refer to C4000 manual |
| Err 12 | C4000 memory failure. | Change memory IC. F-AD-DS1225 (not applicable to Futra) |
| Ped Abd | Display error | 1. Check display cable for loose wires/crimps 2. Replace display PCB |

12. L40/80P Spare Parts

Card reader
F-BA-CDRD-MT-TTL

Retail display (includes backlighting)
F-CP-DISPLAY-GD1

Tote
F-BA-TOTE-A-K

C4000 Microprocessor Board
F-CP-C4PROCES-A

COM50 Flowmeter
(complete)
F-METER-COM50

COM50 Flowmeter
(electronics only)
F-METER-COM-E

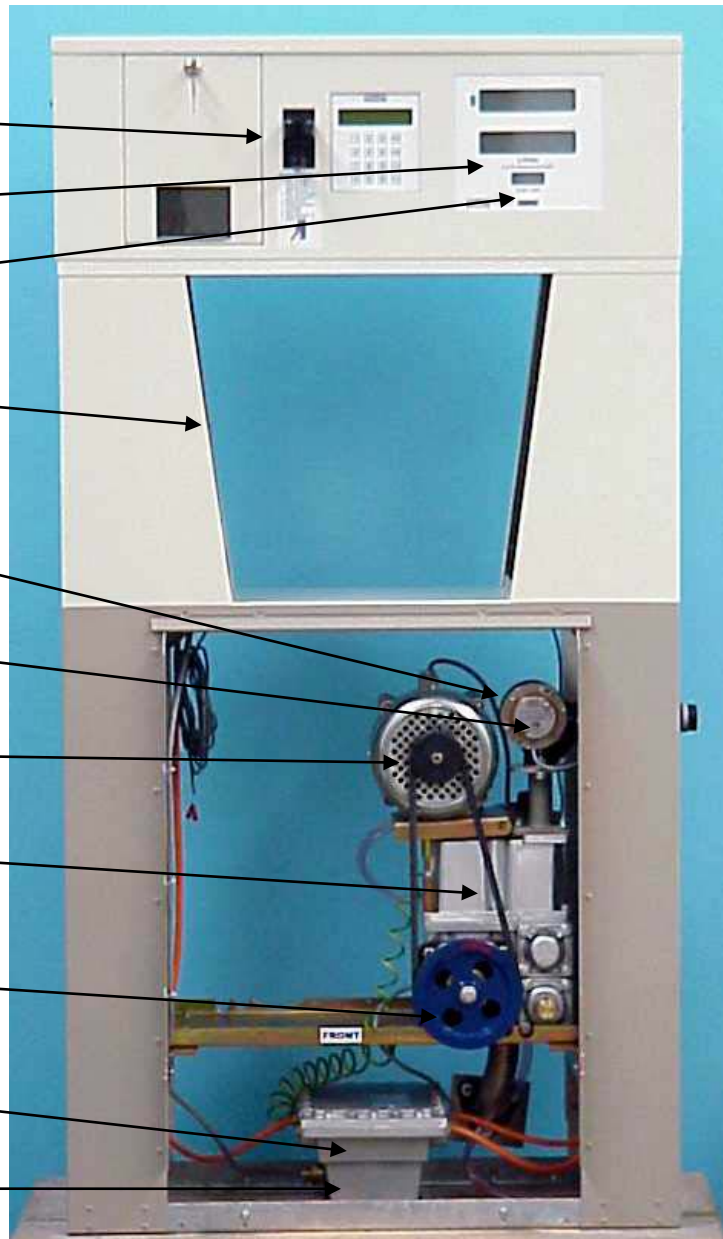
3/4 HP Electric Motor
F-MOTOR-230-750W

Pump Unit
F-PUMP-ZYB-50
(incl inlet and outlet gaskets)

Motor Triac
F-AT-BTA40-RD91

C4000 Power Supply
(does not include box)
F-CP-C4PWR-ASSEM

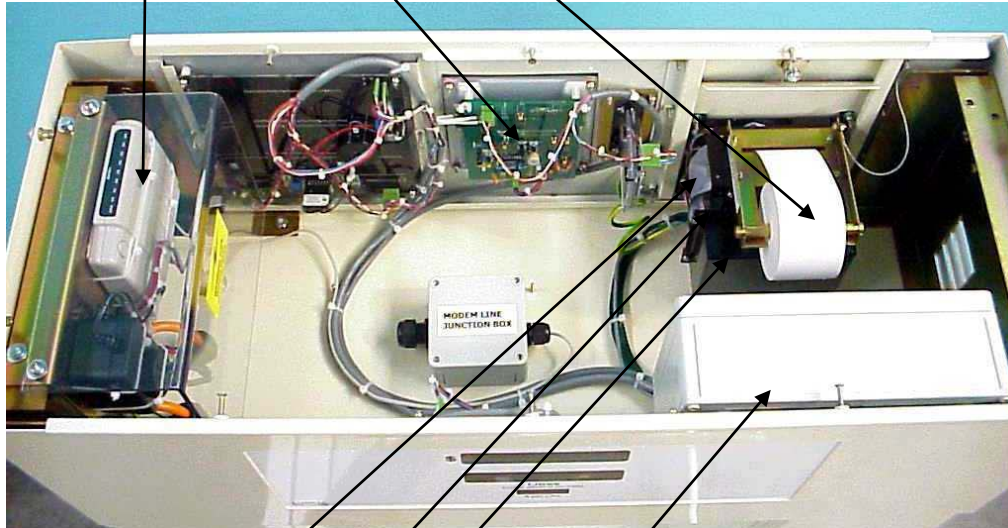
RS232 I/F PCB
F-CP-RS232-CI157T



Paper Roll
F-BA-PRTER-CK-RL

Serial Pinpad I/F board
F-PINPAD-INTGCKD

Modem
F-BA-MODEM-EXTAUS



Printer mechanism
F-BA-PRTER-SEI-M

Printer cutter mechanism
F-BA-PRT-SEIDCA

Printer Interface board
F-BA-PRT-SEI-I/F

Receipt Printer Power Supply
F-CP-RCPT-PRNPS-E