

# **Compac Bulk Meter Register**

Compac has the ideal solution to your bulk refuelling needs.

The Compac BMR is suitable for a variety of applications:

- Rail Refuelling Networks
- Aviation Refuelling
- Ship Refuelling
- Tanker Refuelling
- Metering from Fuel Delivery
- Heavy Vehicle Refuelling



# The heart of Compac Bulk Metering Equipment is the Bulk Meter Register.

The register uses Compac's C4000 electronics for a number of functions, all of which make it particularly suited for use in a Bulk Metering environment. among the most accurate dispensers in the world.

## Functionality

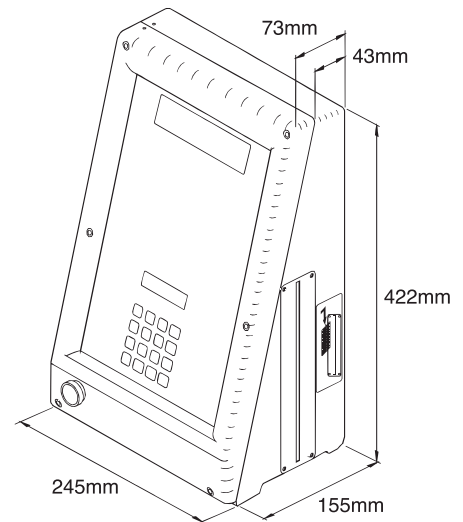
In the simplest application the BMR is used to start a pump and register the amount of fuel delivered. However there are many advanced features that can be enabled depending on your site requirements.

The BMR is designed to be located in harsh environments such as wharves and refuelling depots.

The BMR has:

- A range of back lit LCD displays for different applications
- Card Reader, CWID Key Reader and PIN Pad with Dot Matrix Display authorisation options
- Waterproof, intrinsically safe 3 channel encoder for any positive displacement meter. Will accept inputs from most alternative encoder outputs
- Temperature probe for temperature compensation
- Standards Australia approval for use in a Class 1 Zone 1 hazardous area
- National Standards Commission of Australia approval (Weights and Measures)
- Additive injection pulse output

Specifications	
Flow control vavles	1.5", 2", 2.5", 3", 4", 6", 8"
Site controller	Communicator Controller or DCA
Operating temperature range	-20°C to +50°C
PIN pad	Yes
Receipt printer	Yes
Bill of lading printer	Yes
Additive injector (metering type)	Yes
Overfill protection	Yes
Emergency stop button	Yes
Construction	Rugged cast aluminium box



**Compac Industries Ltd.**

52 Walls Road. Penrose. Auckland 1061. New Zealand.  
 PO Box 12 417. Penrose. Auckland 1642. New Zealand.  
 Tel: +64 9 579 2094 Fax: +64 9 579 0635 info@compac.co.nz  
 www.compac.co.nz

**YOUR LOCAL SERVICE AGENT**

