

Compac Communicator

An ideal solution for sites with multiple pumps.

The Communicator Controller has the ability to connect up to 32 Compac hoses. The Communicator allows fuel access 24 hours a day and is best suited for installation inside a building.



The Compac Communicator is the ideal solution for sites with multiple pumps, with distances of up to 100 metres between each other.

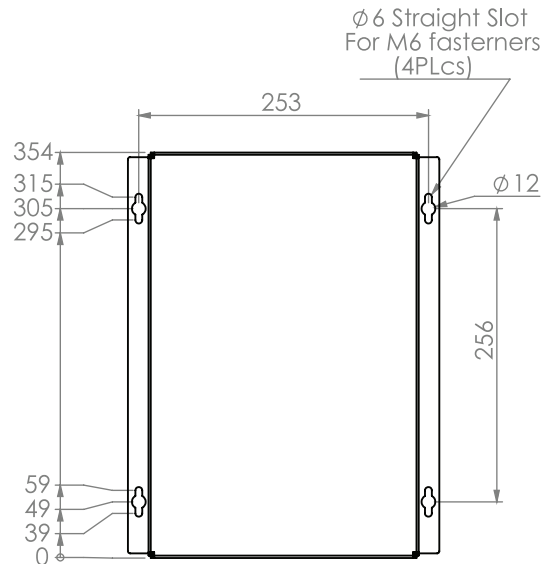
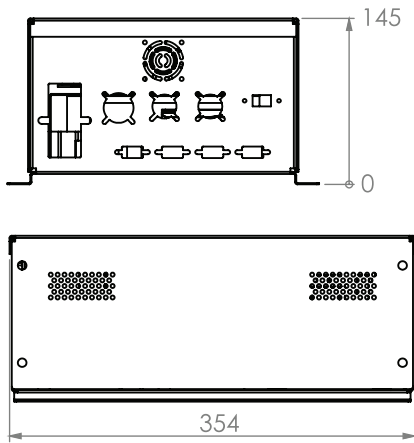
The Communicator Controller:

- Stores valid Card / Key / Tag numbers
- Stores valid Driver / Vehicle ID numbers
- Stores PIN numbers
- Stores Transactions
- Export reports to CompacOnline or to USB stick
- Holds site set up and pricing details

Communicator Specifications

Manufacturer	Compac Industries
Model	HB-Communicator
Operating Voltage	220-240VAC \pm 10% 50Hz
Temperature Range	-10 to 40 °C
Humidity	95% non-condensing
Advantages	Reliable Saves time and money Connects to multiple hoses Ideal for site with multiple pumps

Dimensions of Communicator Controller:



Compac Industries Ltd.

52 Walls Road, Penrose, Auckland 1061, New Zealand.
 PO Box 12 417, Penrose, Auckland 1642, New Zealand.
 Tel: +64 9 579 2094 Fax: +64 9 579 0635 info@compac.co.nz
 www.compac.co.nz

YOUR LOCAL SERVICE AGENT