



# Communicator Installation Sheet

## Version 1.0.1

# Product Identification

Manual Title	Communicator Installation Sheet
--------------	---------------------------------

Publication Date	Wednesday, 5 October 2011
------------------	---------------------------

Application	Compac Communicator - All applications	
	Power supply	230 - 240 VAC; 50 Hz; 2 Amp +/- 10%

Related Manuals	Communicator Installation and Service Manual

Validity	Compac Industries Limited reserves the right to revise or change product specifications at any time. This publication describes the state of the Communicator at the time of publication and may not reflect the product at all times in the past or in the future.
----------	---

Manufacturer Contact Details	<p>The Compac Communicator is designed and manufactured by:</p> <p>Compac Industries Limited  52 Walls Road, Penrose, Auckland 1061, New Zealand  P.O. Box 12-417, Penrose, Auckland 1641, New Zealand</p> <p>Phone: + 64 9 579 2094  Fax: + 64 9 579 0635</p> <p><a href="http://www.compac.co.nz">www.compac.co.nz</a></p> <p>Copyright ©2013 Compac Industries Limited, All Rights Reserved</p>
------------------------------	--

# Contents

<b>Product Identification .....</b>	<b>2</b>
<b>Document Control Information .....</b>	<b>4</b>
<b>Symbols and Units of Measure .....</b>	<b>5</b>
<b>Communicator Controller Safety .....</b>	<b>6</b>
<b>Introduction .....</b>	<b>7</b>
<b>Installation .....</b>	<b>8</b>
Wiring.....	8
Compac Comms and Wiring Layout .....	9
Initial Power Up.....	10
Setting Pump Prices .....	10
<b>Power On Tests .....</b>	<b>13</b>
Check Pricing.....	13
Checking Transactions are Uploaded .....	13
Check Audit Trail Printer .....	13
<b>Part Locations .....</b>	<b>14</b>
<b>Spare Parts List.....</b>	<b>15</b>
Electronic Components.....	15
<b>Installation Checklist .....</b>	<b>16</b>

# Document Control Information

## Document Information and Revision History

<b>Document Details:</b>	Communicator Installation Sheet	
<b>File Name and Location:</b>	G:\Masters\Installation Sheets\Communicator\Communicator Installation Sheet	
<b>Current Revision Author(s):</b>	R Lacey	
<b>Authorised By:</b>	Andrew Kingstone	Release Date: 06/10/2011

Version	Date	Author(s)	Revision Notes
1.0.0	05/10/2011	R Lacey	New manual
1.0.1	07/11/2013	R Lacey	Added footprint

## Distribution

Name	Indicator	Location

# Symbols and Units of Measure

## Symbols

Symbols are used in this manual to highlight information that is critical to the safety of people and equipment, and for the safe and correct operation of the Compac equipment

**⚠ DANGER** *An extreme hazard that may result in death or injury if proper precautions are not taken.*

**⚠ DANGER** *A reminder of safety practices or unsafe practices that could result in personal injury or damage to associated equipment.*

**⚠ CAUTION** *A reminder of safety practices or unsafe practices that could result in damage to associated equipment and/or voids the warranty.*

**⚠ NOTE** *Important information essential to the installation and operation of the Compac equipment*

---

## Units of Measure

The following units of measure are used in this manual:

---

Unit	Measure
Pressure	Bar (bar)
Temperature	Degrees Celsius (°C)
Volume	Litres (L) Cubic Metres (m <sup>3</sup> )
Mass	Kilograms (kg)
Length	Metres (m) Millimetres (mm) Microns, Micrometres (µm) Inches (")
Torque	Newton Metres (Nm)
Voltage	Volts (V)
Current	Amps (A)
Frequency	Frequency (Hz)

---

# Communicator Controller Safety

You must adhere to the following safety precautions at all times when working on the Compac equipment. Failure to observe these safety precautions could result in damage to the dispenser, injury, or death.

Make sure that you read and understand all safety precautions before operating the Compac equipment.

## Electrical Safety

Observe the following electrical precautions:

**⚠ DANGER** Always turn off the power to the Communicator Controller before removing the box lid. Never touch wiring or components inside the Communicator Controller with the power on.

**⚠ CAUTION** Always take basic anti-static precautions when working on the electronics, i.e., wearing a wristband with an earth strap.

# Introduction

The Compac Communicator is designed as a versatile, multi-purpose authorisation and fuel management station.

It is compatible with most common fuel pumps and can be easily customised to accept a variety of authorisation methods and provide detailed transaction reporting. The main features include:

- Card, PIN, iTrack, HID or CWID authorisation options
- Site management by Netbase, CompacOnline, USB key, LAN or directly connected PC
- Can transmit tank gauging information

The unit can be managed remotely by either Netbase or CompacOnline. Communication can be made by:

- Dial-up modem over phone line
- Broadband connection over ADSL capable phone line
- Wireless connection using cellular modem

## Compatibility

The Communicator can be configured with the appropriate hardware to communicate to and control Compac, PEC protocol and selected Gilbarco and Email protocol pumps.

Tank gauging for VeederRoot, Diptronic and Franklin gauges.

# Installation

The Compac Communicator must be installed in an office or suitable location inside a building. It must not be exposed to water, dust, excess heat or humidity.

In areas that experience temperature extremes or are subject to high humidity, an air-conditioned environment is recommended.

The unit can be wall or desk mounted.

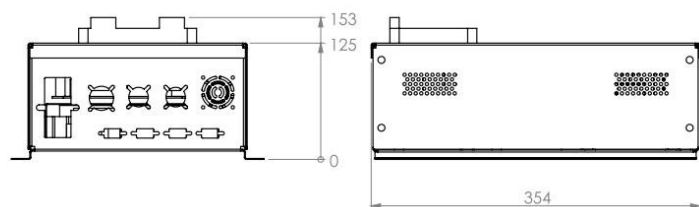
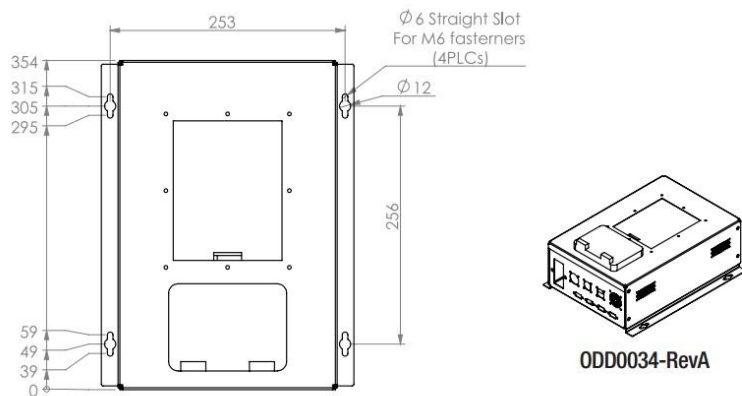
Do not place in any situation where the ventilation holes are covered.

## Mounting

Use suitable fasteners for the material you are attaching the Communicator to. Recommended shank diameter is 3 mm to 4 mm

Hole centres are in a square pattern, 256 mm high and 253 mm wide.

Partly screw in the fasteners, place the Controller over the heads of the fasteners, lower onto the slots and tighten up the fasteners.



## Wiring

Wiring will depend on the set up of the unit.

The three phase power lead plugs into the switch/socket.

Other plugs will be labelled.

Pump comms wiring must not exceed a total of 100 metres,

Compac, PEC and Email pumps are wired in parallel, Gilbarco pumps are wired in series.

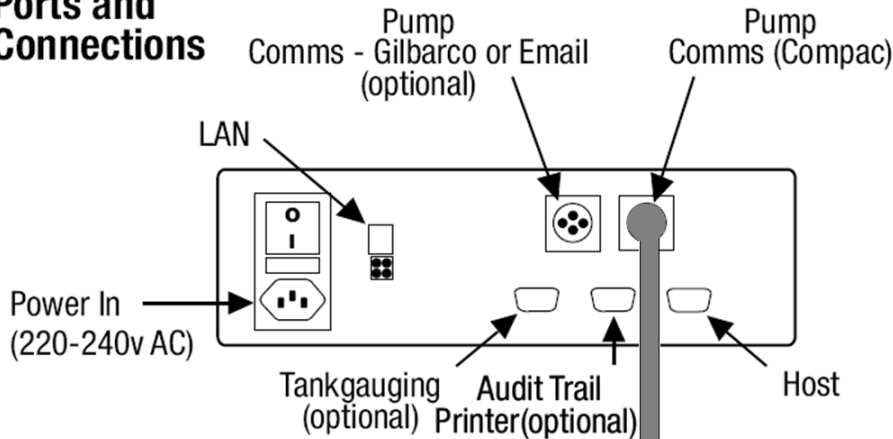
Audit trail printer plugs into the unit via the labelled port.



# Compac Comms and Wiring Layout

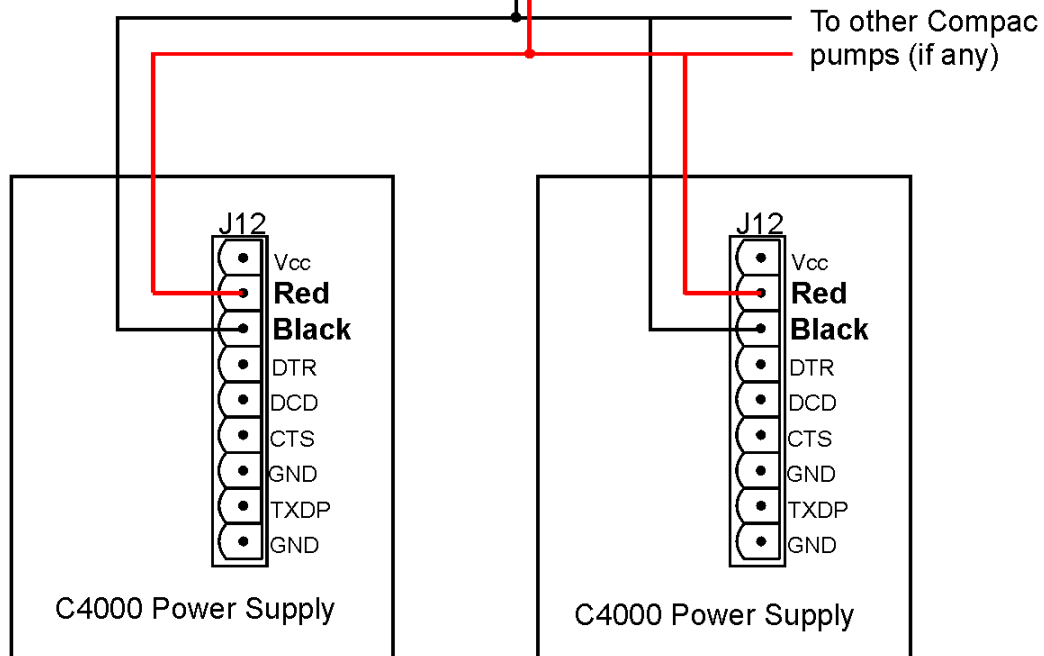
Bottom Panel of the Communicator:

## Ports and Connections



Connect C4000 Dispensers in PARALLEL to the two core cable plugged into the socket marked " PUMP COMMS " on the rear panel of the Communicator

Communicator is supplied with a two metre long 2 core cable  
Note cable cores may be either Black / Red or Blue / White  
Black = Blue Red = White



Comms connections between Communicator (or Commander) and C4000 Pumps and Dispensers  
"COMPAC" comms only

Note COMMS dipswitches (SW3 located next to J12) settings for Compac comms only are

- 1 - ON
- 2 - OFF
- 3 - ON
- 4 - OFF

## Initial Power Up

When all connections have been made, disconnect the pump communication wires and turn the unit on at the mains switch.

## Setting Pump Prices

The unit controls the pricing at the pumps. In most circumstances the pricing information is sent to the unit either via a USB key or via the internet using Netbase or CompacOnline.

### Pricing via USB Module

Start up your laptop, insert the Compac USB key and open the Price file. Check the price is correct. If not, change it and save.

Insert the key into the USB module, select Set Price and confirm.

Turn off the unit and the pumps, connect the pump communications wires and repower.

Check that the pricing on each hose is correct.

### Pricing via Internet

Confirm that the unit is on line and that the help desk has installed all updates.

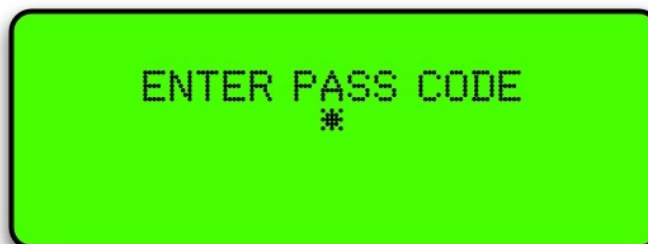
Write down the on-line price(s).

Turn off the unit and the pumps, connect the pump communications wires and repower.

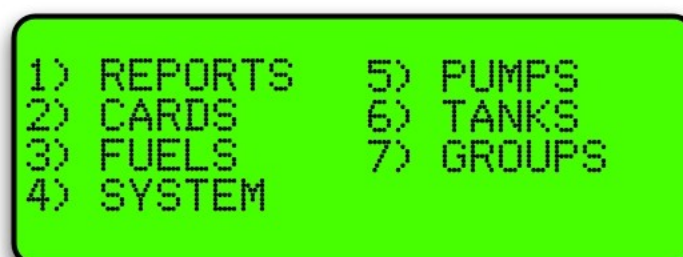
Check that the price on each hose matches the on-line price.

## Manual Pricing

To set pricing manually, enter your pass code



The following options are displayed:

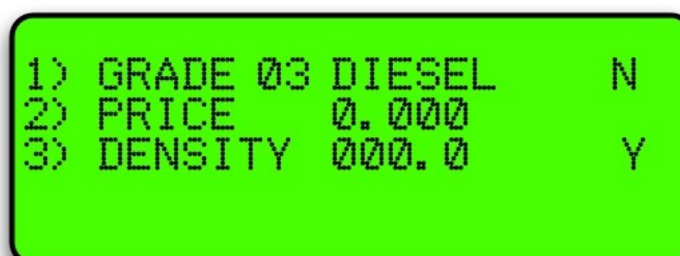


Select <3> Fuels

### Option #3 FUELS

Selecting Fuels will bring up the following screen:

**NOTE** Depending on your software, the Density line may not show.



Use the Yes and No buttons to scroll through the fuel types.

To change the price for the fuel grade, press 2 and the price will start flashing

Enter the new price in a four digit format and press Enter.

The following table describes the process.

Keyboard Entry	Result on Display	Operation
Enter Passcode		
<ENTER>	Main Menu is displayed	
<3>	Fuel Menu is displayed	
	1) GRADE XX 2) PRICE 0.000	Change Price
<2>	1) GRADE XX 2) PRICE 0.000 (flashes)	Use the N and Y keys to scroll up and down the Grades
Type in new price	1) GRADE XX 2) PRICE 0.000 (still flashes)	
<ENTER>	1) GRADE XX 2) PRICE 0.000 (stops flashing)	
<N> or <Y> to change another grade Repeat as for last grade		Change another price
<CLEAR>	Returns to Main Menu	Escape

**NOTE** *Manual pricing is overridden by USB or internet pricing.*

## Power On Tests

Depending on the setup of the unit, you will need to perform a number of tests.

### Check Pricing

Once the correct price is set, turn the Communicator off, connect the pump comms and re-power it.

Check that all pumps are displaying the new price.

Perform a test transaction on each pump.

### Checking Transactions are Uploaded

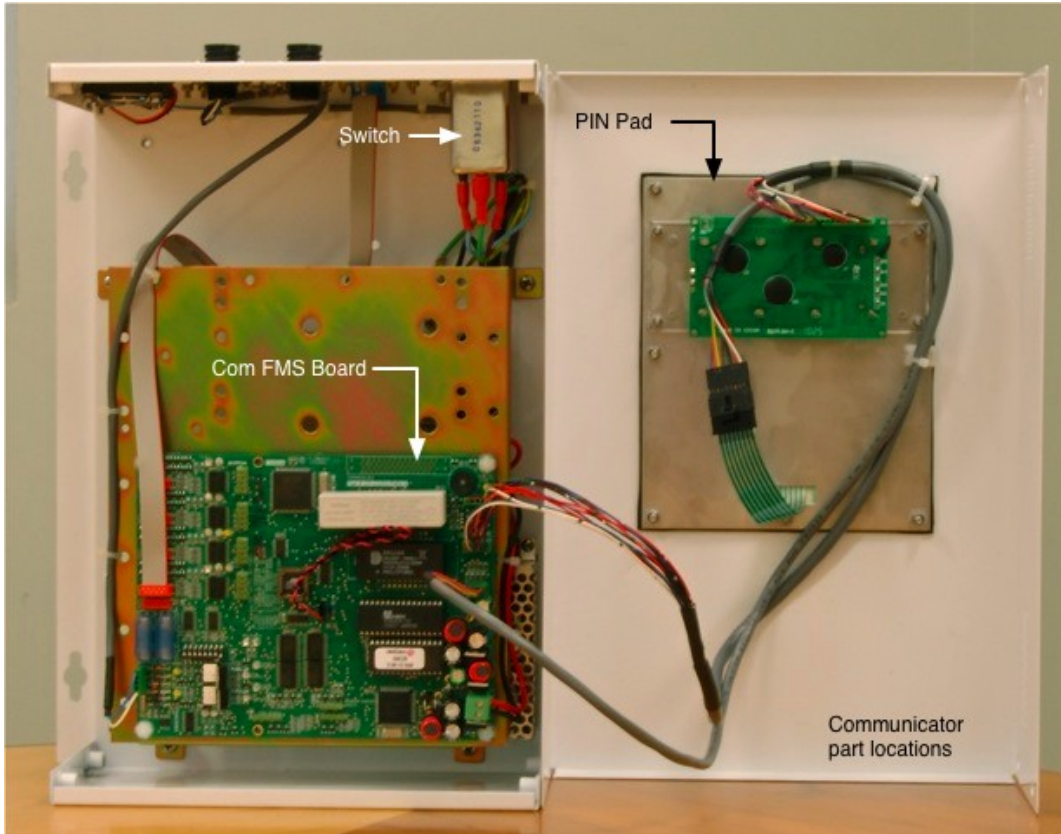
Contact the your Netbase or CompacOnline administrator and check that your test transactions and any customer transactions that have taken place have been recorded correctly on Netbase or CompacOnline.

For USB equipped units, download your test transactions and check that the information recorded matches the information on the receipts.

### Check Audit Trail Printer

If the unit is connected to an audit trail printer, check that the date, time, price and amount of fuel dispensed is recorded correctly for each pump.

# Part Locations



# Spare Parts List

The following parts list may contain components that are not specific to your particular unit. To ensure you get the correct parts, always quote serial number of the unit when ordering.

## Electronic Components

Part Number	Description
FD-BS-2P-ISO-SW	Mains Switch
FD-BF-FILTER-3A	Mains Filter
BA-FAN-40-12VDC	40mm 12V DC Fan
BA-PWR-DO12V5V	Dual Output Power Supply
F-C4PWR-FUSEKIT	0.5MM Amp Fuse 20MM
F-CP-COM-FMS	Comm FMS Board - Tested
FD-AM-BT-BUP-3V6	Comm FMS Backup Battery 3.6V,1.9AH
F-AD-4MEG-NVRAMN	Flash Memory (DS1250Y)
FO-BRD-0003	Embedded LAN Interface
F-FAS-DCA-PINPAD	LCD 20X4 EXT/TEMP Backlit
F-CP-COMEX-CI118	RS232 Comm Port Expansion PCB CI118
F-CP-COMM-DPIA	Commander RS232 PORT I/F
F-AD-27C512-A	EPROM 8 X 64K 28 PIN DIP
F-CP-PINPADT	PIN Pad Capacitance Type PCB CI 119
FD-P-GASKET-PINP	PIN Pad Gasket

### USB Parts

Part Number	Description
F-BA-USBKEY	USB memory stick 2Gb
FD-BA-CE-BOXPUSB	CE box programmed for USB applications
FD-BA-USBINT	USB interface cable. Does not include cables.

# Installation Checklist

Version 1.0.0.

Covers Compac DCA, Comfutra, Card King and Controller units.

Site number and name:	
Date:	
Installer name and phone number:	
Terminal ID number:	

When a new unit is being installed use the following checklist to make sure the unit is fully operational. Check each box or write N/A where not applicable. Refer to the relevant installation manual for procedures.

## Mechanical Checks

Yes No

Check unit is undamaged and has not been tampered with.	<input type="checkbox"/>	<input type="checkbox"/>
Is the unit in a sheltered position and facing away from the prevailing wind and rain?	<input type="checkbox"/>	<input type="checkbox"/>
Check all panels are securely fastened using tamper-proof fastenings where supplied.	<input type="checkbox"/>	<input type="checkbox"/>
Check that all cable entries to unit are through glands.	<input type="checkbox"/>	<input type="checkbox"/>

## Power on Checks

Yes No

Check that the CE board, FMS board, pinpad, printer, cardreader, router and modem all power up.	<input type="checkbox"/>	<input type="checkbox"/>
Check pumps are re-priced to the current fuel price.	<input type="checkbox"/>	<input type="checkbox"/>
Check that different fuels are correctly priced on all hoses.	<input type="checkbox"/>	<input type="checkbox"/>

## Transaction Checks

Yes No

Complete transaction using white card.	<input type="checkbox"/>	<input type="checkbox"/>
Complete transaction using credit card (credit card DCA only).	<input type="checkbox"/>	<input type="checkbox"/>
Check that all hoses can be selected and authorised by the unit.	<input type="checkbox"/>	<input type="checkbox"/>
Check all hoses stop on or before the pre-authorised value (credit card DCA only).	<input type="checkbox"/>	<input type="checkbox"/>

## Receipt Checks (where fitted)

Yes No

Check that the correct \$, L and fuel grade are printed on the receipt.	<input type="checkbox"/>	<input type="checkbox"/>
Check the date, time and header information is correct.	<input type="checkbox"/>	<input type="checkbox"/>

## USB Module Checks (where fitted)

Yes No

Check the supplied USB key is recognised by the unit.	<input type="checkbox"/>	<input type="checkbox"/>
Select "Get Transactions" and check that transactions are uploaded to the USB key.	<input type="checkbox"/>	<input type="checkbox"/>



**CompacOnline Checks (when connected)**

Yes No

Check the site appears on CompacOnline.	<input type="checkbox"/>	<input type="checkbox"/>
Check that transactions have been recorded on CompacOnline.	<input type="checkbox"/>	<input type="checkbox"/>

**Tank Gauging Checks (where fitted)**

Yes No

Check that tanks are set up in CompacOnline and that correct levels are being reported.	<input type="checkbox"/>	<input type="checkbox"/>
Check that the correct products are assigned to the correct tanks.	<input type="checkbox"/>	<input type="checkbox"/>

**Customer Training**

Yes No

Check site attendants understand refuelling procedures.	<input type="checkbox"/>	<input type="checkbox"/>
Check that site administrators understand how to obtain transactions and administer cards.	<input type="checkbox"/>	<input type="checkbox"/>

**Final Checks**

Yes No

Ensure all cables are plugged back in after remote accessing.	<input type="checkbox"/>	<input type="checkbox"/>
Tidy up all rubbish and clean the exterior of the unit before leaving.	<input type="checkbox"/>	<input type="checkbox"/>

If one or more of these tests fail, contact the Compac help desk or your service centre so the problem can be logged and parts issued if required.

**Notes**

To validate warranty and receive future help desk assistance please fax both sides of this form to: +64 9 579 0635 or post to: Compac Industries Ltd, PO Box 12 417 Penrose, Auckland 1642, New Zealand.	Report any damage immediately to Compac Industries on: +64 9 579 2094. Any site safety issues should be reported immediately to the site manager.
--	---