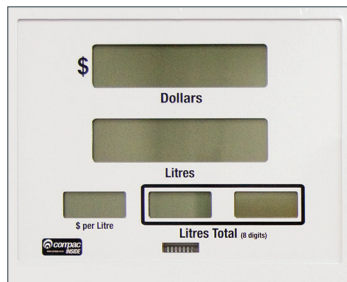


The ComTank offers a simple, secure solution to fuel management.

Using Compac's proven fuel management technology, the ComTank has been specifically designed for pump or dispenser control on above ground storage tanks.



The ComTank makes unattended refuelling and management of refuelling data a simple, straight forward process.



With the option of a remote mountable display and nozzle holster, refuelling is more convenient and accessible.



System Features

- On-tank installation
- Diesel only
- Commercial or retail display
- Remote mountable additional display
- Single or dual hose
- Remote mountable nozzle holsters
- Hi/lo switch for hose outlet
- Available with Compac or PEC comms

Authorisation Options

- HID Tag
- Pin number
- Card reader

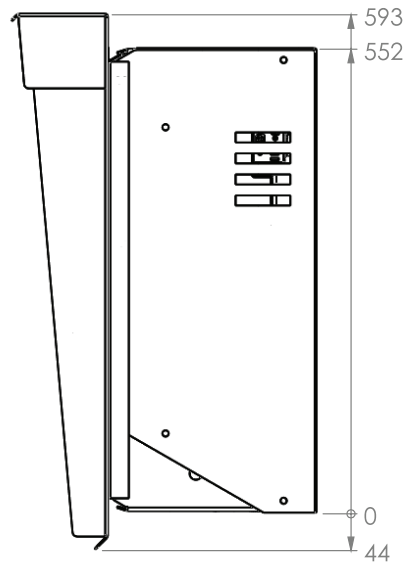
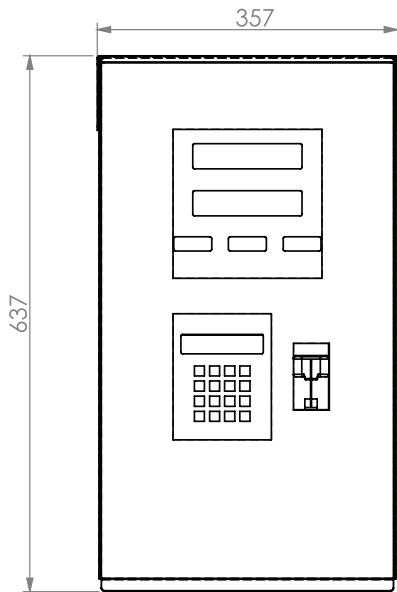
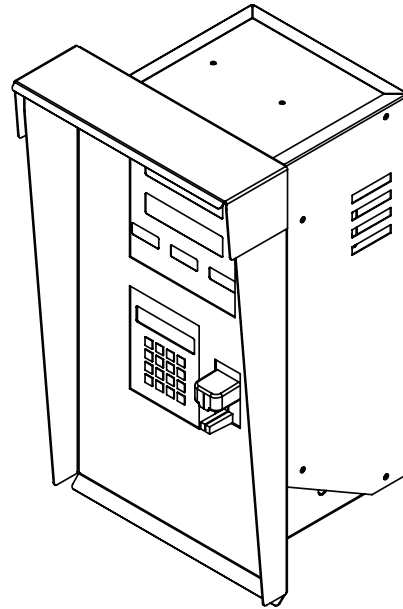
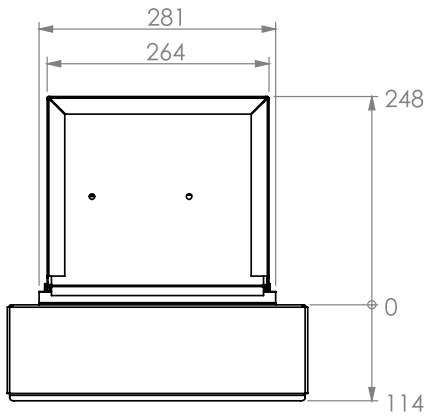
Download Transactions

- USB stick
- CompacOnline

Tank Gauging Interface Options

- Veeder-Root
- Franklin
- Colibri

➔ **Dimensions of the ComTank**



Cutout size to fit: 300mm x 575mm
Cutout template supplied for ease of installation



Compac Industries Ltd.
52 Walls Road. Penrose. Auckland 1061. New Zealand.
PO Box 12 417. Penrose. Auckland 1642. New Zealand.
Tel: +64 9 579 2094 Fax: +64 9 579 0635 info@compac.co.nz
www.compac.co.nz

YOUR LOCAL SERVICE AGENT