

Compac Credit Card DCA

The CC DCA is Compac's versatile, 24/7 Fuel Management System

- Designed for user-friendly, unattended refuelling and payment
- Accepts all credit card types
- Accepts local card
- Accepts motorpass cards
- Offers a total wireless solution



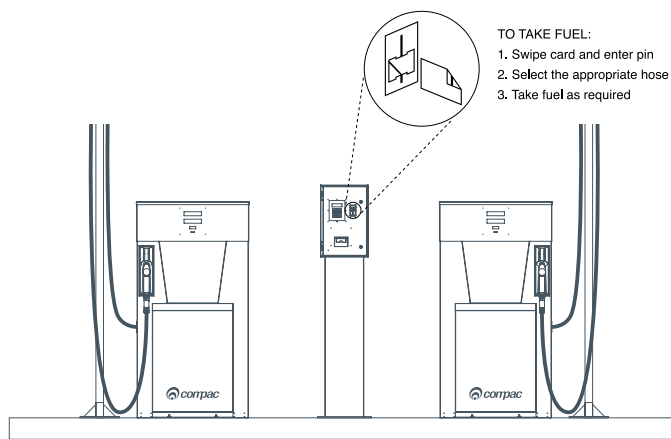
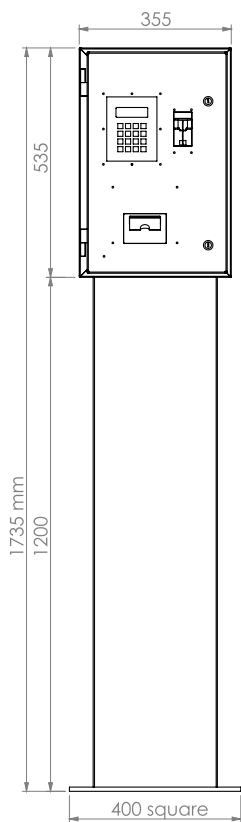
The Compac Credit Card DCA is a stand-alone payment terminal that is ideal for unattended refuelling.

To limit risk, when a Credit Card is swiped, a pre authorised amount is set and checked to ensure available funds. All transactions can be viewed through CompacOnline.

CompacOnline allows you to: manage credit card transactions, manage account/prepay cards, adjust pump pricing remotely, run reports and check tank levels.

Note: All Credit Card transactions are processed directly by Payment Express, CompacOnline only records a sales analysis record for these transactions.

Specifications	
Model	CC DCA
No. of Pumps	1-16
Pump Control	Compac, PEC or Gilbarco Comms
Mechanical Register I/F	✓
Power	240V
NMI Approval	✓
Data Transfer	Automatic transfer to CompacOnline via ADSL or Wireless 3G
Transaction Capacity	5000
No. of Vehicles / Drivers	2000
Data Entry	Prompt for ODO, PIN or custom field
Tank Gauging I/F	Veeder-Root, Fafnir or Franklin
Printer	✓
Construction	Stainless Steel



Typical Installation of CC DCA



Compac Industries Ltd.

52 Walls Road. Penrose. Auckland 1061. New Zealand.
 PO Box 12 417. Penrose. Auckland 1642. New Zealand.
 Tel: +64 9 579 2094 Fax: +64 9 579 0635 info@compac.co.nz
 www.compac.co.nz

YOUR LOCAL SERVICE AGENT