

For a world-class Outdoor Payment Terminal look no further than Compac.

The Compac OPT has been designed specifically for public unattended refuelling use in all weather conditions.

Engineered for harsh, dusty environments typical of unattended refuelling locations, the OPT also looks at home on a retail forecourt.



The design and manufacture of the Compac OPT demonstrates the quality and performance of the OPT in all applications.

Featuring the latest technology, the OPT is designed to perform in harsh environments.



→ Designed with Your Application in Mind

Truck Stops – refuel trucks anytime, from any fleet

Retail Forecourts – either for after hours access or for full time unattended sites

Marina – made for this harsh environment

Aviation – for remote air fields where reliability is crucial

On-tank Applications – for transportable solutions

→ Accepts All Cards

EFTPOS – customers can use their standard debit card

Credit Card – will accept any credit card

Account Card – use store issued ‘in-house’ white cards

All cards allow offline transaction processing if required

→ Robust Construction

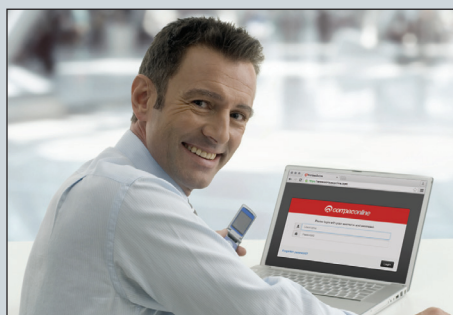
The OPT can cope with extreme weather conditions - heat, rain and humidity.

- full stainless steel construction
- always-on forced ventilation
- internal heater to maintain a stable environment
- reliable printer that works in all installations
- large receipt drop box - eliminating paper jams
- UPS power supply so transactions are always completed

CompacOnline

For real-time fuel monitoring

www.compaconline.com



CompacOnline is the best way to find out what is happening onsite, without actually being there. From any web browser, you have access to full transaction and service information.

Sales

CompacOnline automatically downloads sales and tank information to generate custom reports.

Service

See receipt printer status and paper levels. Check whether mains power is on and the status of the UPS battery. Get cabinet temperature and status of pumps and tanks. and diagnose errors.

Security

Set up multiple users with unique security access and log their activity.

Text & Email Alerts

You can determine how and when you are notified of abnormal conditions.

Price Scheduling

Setup price changes in advance, and all your sites update with the new price simultaneously.

Simple Connection

The OPT requires only one data connection via either: the 3G/ broadband mobile network; a LAN connection; or the in-built router. This allows access to:

The Transaction Processing House – all card transactions are fully encrypted to protect privacy and avoid tampering

Helpdesk – through the OPT's built in VOIP help phone (optional)

CompacOnline – see box on left for details

Features

Proven pump control which interfaces to all pumps and tank gauging. The OPT can even work with your existing pump controller

Extra large paper roll can print up to 3,500 receipts before the paper needs to be replaced (that's six months at 20 receipts per day!)

Low power consumption and insulated cabinet means the OPT can operate in even the hottest environments

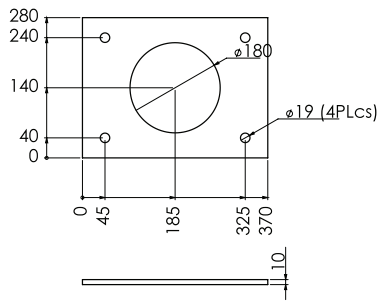
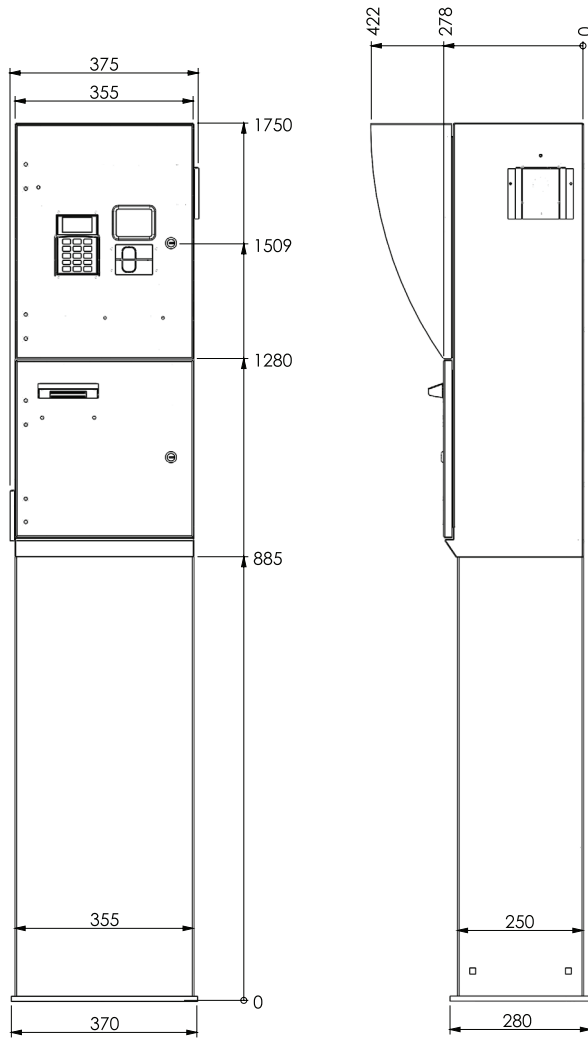
Extra lighting PinPad illuminated for use in any light conditions

UPS so transactions don't get lost in a power outage

Simple to use with graphical instructions and easy to follow prompts

Low Service Costs

Service staff can trouble shoot remotely through CompacOnline. Spare parts are available ex-stock and from locations throughout Australasia. Because all certified boards are made by Compac you don't have to worry about future spares requirements. The OPT can easily be connected to a helpdesk via optional inbuilt VOIP phone to ensure your customers are always looked after.



Approvals

- National Measurement Institute of Australia (NMI) approval

Security

- Transaction Processing House approved to 3-DES, PC PED 1.3 compliant, APCA approved, EMV Level 1 & 2
- Unique cabinet locks to prevent unauthorised access
- EMV compliant Card Reader (SCR200)
- EMV compliant PinPad (SKP200)

Note: All Payment Card transactions are processed directly by Payment Express, CompacOnline only records a sales analysis record for these transactions. We work with Payment Express to develop and maintain Unattended Fuel Payment solutions that are EMV & PCI compliant. Payment Express provide certified hardware, PCI PA-DSS compliant software, and PCI-DSS certified infrastructure for handling card holder data in our OPT products.

Options

- Voice Over IP Phone** to allow connection to a helpdesk
- Custom branding** decals and powdercoating to suit your individual requirements
- Post 0.88m stand** for non wall-mounted applications. Angled or straight post available



Compac Industries Ltd.
 52 Walls Road, Penrose, Auckland 1061, New Zealand.
 PO Box 12 417, Penrose, Auckland 1642, New Zealand.
 Tel: +64 9 579 2094 Fax: +64 9 579 0635 info@compac.co.nz
 www.compac.co.nz

YOUR LOCAL SERVICE AGENT

