



# Communicator Controller

An ideal solution for  
sites with multiple pumps.



## The Compac Communicator is the ideal solution for sites with multiple pumps.

The Communicator Controller has the ability to connect up to 32 Compac hoses, with distances of up to 100 meters between pumps. The Communicator allows fuel access 24 hours a day and is best suited for installation inside a building.

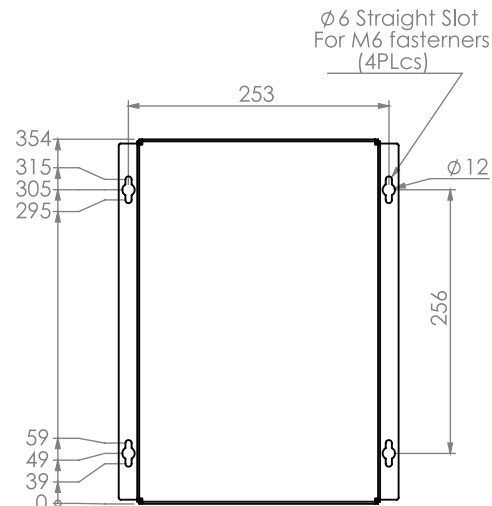
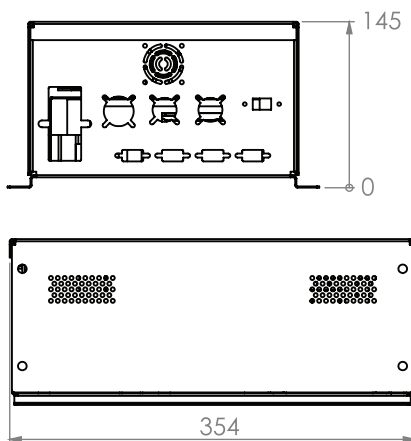
### The Communicator Controller:

- Stores valid Card / Key / Tag numbers
- Stores valid Driver / Vehicle ID numbers
- Stores PIN numbers
- Stores Transactions
- Export reports to CompacOnline or to USB stick
- Holds site set up and pricing details

### Communicator Specifications

Manufacturer	Compac Industries
Model	HB-Communicator
Operating Voltage	220-240VAC $\pm$ 10% 50Hz
Temperature Range	-10 to 40 °C
Humidity	95% non-condensing
Advantages	Reliable Saves time and money Connects to multiple hoses Ideal for site with multiple pumps

### Dimensions of Communicator Controller:



#### Compac Industries Ltd

52 Walls Road, Penrose  
Auckland 1061  
New Zealand  
PO Box 12 417, Penrose  
Auckland 1642  
New Zealand  
Tel: +64 9 579 2094  
Fax: +64 9 579 0635  
www.compacngv.com  
www.compac.co.nz

#### Compac Sales Pty Ltd

32 Boundary St  
South Melbourne, VIC 3205  
Australia  
PO Box 312  
Port Melbourne, VIC 3207  
Australia  
Tel: +61 3 8696 4888  
Fax: +61 3 8696 4817  
www.compacsales.com.au

#### Compac Industries India Ltd

K 73 Udyog Nagar  
Main Rohtak Road  
Delhi - 110041  
India  
Mobile: +91 85888 78287  
www.compacindia.com